

Series 3



Surgical Power Tools

High Power

Better Grip

Ergonomical Shape

Faster Speed

Better Battery life



The Starlite Range of **ORTHOPAEDIC POWER TOOLS** is simply

S M A R T

Apothecaries' Sundries Manufacturing Co.

- S Smooth performance
- M Meets all needs
- A All-round, versatile
- R Reasonably priced
- T Totally reliable

www.asco-starlite.com

CANNULATED DRILL MACHINE

369D.302

It is used for various types of drilling operations. Also Suitable for K-wire surgery* & Reaming Operations*

Standard Configuration:

- ★ One Hand Piece
- ★ 2 pcs. Battery
- ★ 1 pc. chuck & key
- ★ 1 pc. Charger
- ★ 2 pcs. Sterilizing Rings

SPECIFICATIONS

Speed	1000 rpm
Noise	≤ 65db
Sterilize	≤ 135 °C
Torque	≥ 3.5 NM

Autoclavable

Packed in Aluminium Carrying Case



Battery Operated



OSCILLATING SAW

369D.305

Standard Configuration:

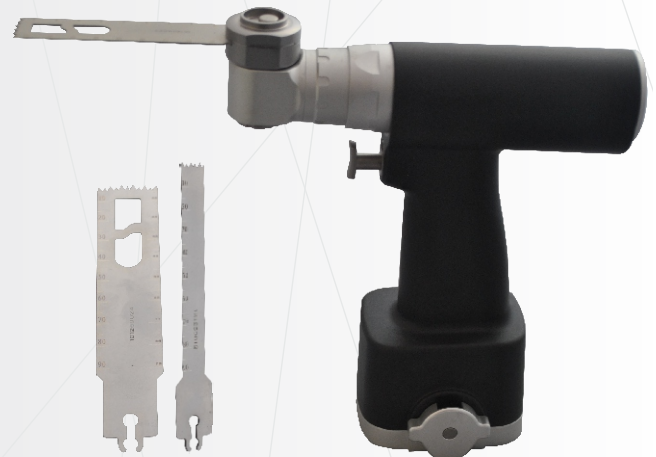
- ★ One Hand Piece
- ★ 2 pcs. Saw Blades
- ★ 2 pcs. Battery
- ★ 1 pc. Charger
- ★ 2 pcs. Sterilizing Rings

SPECIFICATIONS

Speed	0-20000 osc/m
Noise	≤ 70db
Sterilize	≤ 135 °C

Autoclavable

Packed in Aluminium Carrying Case



International Blade Design



Battery Operated

Better Battery life

Faster Speed

High Power

Better Grip

Ergonomical Shape

STERNUM SAW

For application in thoracic surgery

Set Contents:

- ★ One Hand Piece
- ★ 2 pcs. Saw Blades
- ★ 2 pcs. Battery
- ★ 1 pc. Charger
- ★ 2 pcs. Sterilizing Rings

SPECIFICATIONS

Speed	0-15,000 osc/m
Noise	≤ 75db
Steriliz	≤ 135 °C

Autoclavable

Packed in Aluminium Carrying Case



369D.304



Battery Operated

Series 3 Ultra

MULTIFUNCTION ORTHO DRILL & SAW SET

Set Contents:

- ★ Hand Piece Motor, Battery Operated
- ★ Drill Attachment (Jacob Chuck Type)
- ★ Cannulated Drill Attachment
- ★ Oscillating Saw attachment
- ★ Reamer Attachment
- ★ Convert Adapter for Quick Coupling Drill Bits
- ★ Convert Adapter for AO design Reamers
- ★ 1 pc. Charger
- ★ 2 pcs. Sterilizing Rings
- ★ 2 pcs. Oscillating Saw Blades
- ★ 2 pcs. Battery

Autoclavable

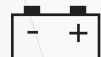
Packed in Aluminium Carrying Case

Technical Specifications:

Hand Piece	Working Voltage	14.4V
	Output Power	≥90W
	Unit Rise in Temp.	≤20°C
Charger	Input Voltage	AC 110V-240V 50HZ-60HZ
	Output Power	14.4V 900MA
	Input Power	30W
Battery	Voltage	14.4V
	Charging Time	2Hours or more
	Running Time	Continues 45-50 minutes on full charge



369D.300UA



Battery Operated

Better Battery life

Faster Speed

High Power

Better Grip

Ergonomical Shape

MULTIFUNCTION DRILL & SAW SET

Set Contents:

- ★ Hand Piece Motor, Battery Operated
- ★ Drill Attachment (Jacob Chuck Type)
- ★ Cannulated Drill Attachment
- ★ Oscillating Saw attachment
- ★ Sternum Saw Attachment
- ★ Reamer Attachment
- ★ Cranial Bur Attachment
- ★ Cranial Drill Attachment
- ★ Cranial Drill Chuck
- ★ 1 pc. Charger
- ★ 2 pcs. Sterilizing Rings
- ★ 5 pcs. Oscillating Saw Blades
- ★ 2 pcs. Cranial Blades
- ★ 2 pcs. Battery

369D.300U



Autoclavable

Packed in Aluminium Carrying Case

Technical Specifications:

Hand Piece	Working Voltage	14.4V
	Output Power	≥90W
	Unit Rise in Temp.	≤20°C
Charger	Input Voltage	AC 110V-240V 50HZ-60HZ
	Output Power	14.4V 900MA
	Input Power	30W
Battery	Voltage	14.4V
	Charging Time	2Hours or more
	Running Time	Continues 45-50 minutes on full charge



Battery Operated

ELECTRIC PLASTER CUTTING SAW WITH TWO BLADES

- ★ Works on 220 V
- ★ Straight Design

369D.010D



Better Battery life

Faster Speed

High Power

Better Grip

Ergonomical Shape

CRANIAL DRILL & BUR

For application in cranial surgery.

Standard Configuration:

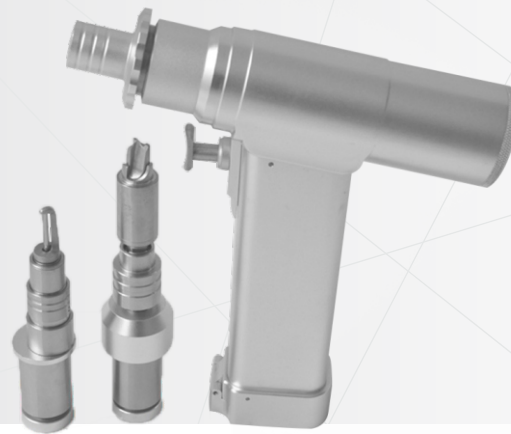
- ★ 1 pc. Cranial Drill Attachment
- ★ 1 pc. Bur Attachment
- ★ 2 pcs. Battery
- ★ 1 pc. Charger
- ★ 2 pcs. Sterilizing Rings

SPECIFICATIONS

Speed - Drill	0-1000 r/m
Speed - Bur	0-40,000 r/m
Noise	≤ 65db
Sterilize	≤ 135 °C

Autoclavable

Packed in Aluminium Carrying Case



369D.103



Battery Operated

SPARES



Apothecaries Sundries Manufacturing Company is a leading provider of quality medical & hospital equipment to doctors, hospitals, and health service agencies worldwide. The company, simply known as ASCO in the global market, manufactures and markets a wide variety of high quality hospital equipment. The brand has gained recognition worldwide as a high quality premier brand has made its mark into the European marketplace where it continues to be recognized for its exceptional quality. ASCO, has been in the field of supplying quality surgical/hospital appliances and allied products for almost six decades now. It is also credited with setting the benchmark of excellence in quality, R&D and customer service.

if you are looking for power tools that offer reliable performance in the most **demanding applications**, that come with a variety of options to suit your needs and are available in reasonable prices, **Starlite is the answer.**

Apothecaries' Sundries Manufacturing Co.

Regd. Office:

ASCO House, No.13, Community Center,
Mayapuri, Phase 1, New Delhi-110064, Delhi, India
Tel : +91 9315680579, +91 8178737594
Email: info@ascoindia.com

Branch Office:

ASCO Medical Ltd.
United Kingdom



WHO
GMP
COMPLIANT

ISO
13485:2003
CERTIFIED

ISO
9001:2000
CERTIFIED



www.asco-starlite.com