

ZEN-7000

The "Performance Standard" in Digital Imaging

Simple, Stylish,
Performance C-Arm



Light, yet powerful & reliable C-Arm!
Convenient & user friendly

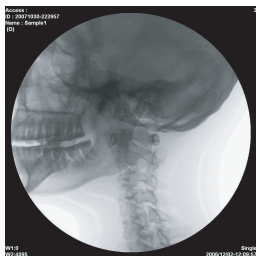


Performance C-Arm 

Discover the true meaning of Value

More Powerful Than Ever

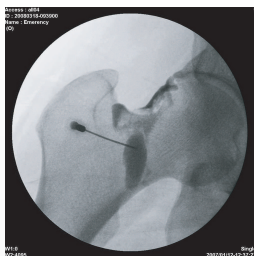
- Rotating anode
- Heavy-weight performance: 120kV / 45mA



Real Time Display

Convenient

- Full-size touch screen
- True digital platform
- Easy to use operational panel
kV, mA, collimator, image control, etc.



Sharp Contrast

Safety Assured

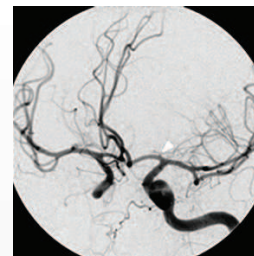
- Automatic shut off to prevent over-heating
- Counter-balanced
- Emergency switch for manual shut off
- 100% user controlled exposure



Surgery Assistant

Features

- Virtual collimation
- Tri-mode 9" I.I. (12" optional)
- 1K x 1K CCD technology
- DICOM 3.0 & MWL (RIS)



Limitless Application

Technical Specifications & Dimensions

ZEN-7000

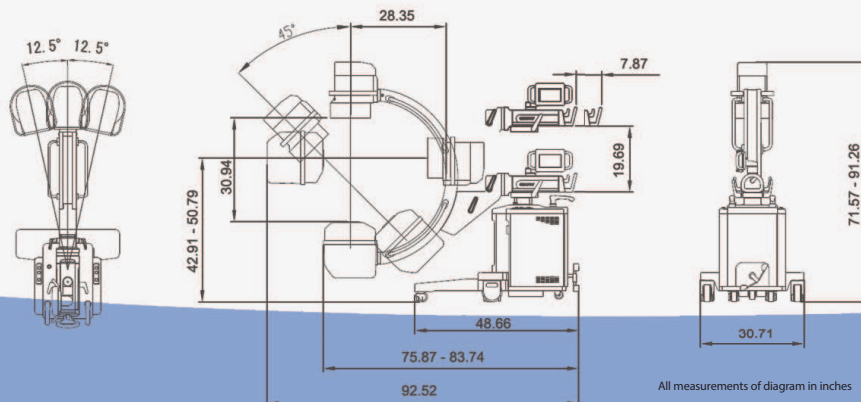
FUNCTION	9" 12"
Orbital Movement	135° (45° overcast)
Wig-wag Movement	± 12.5°
Vertical Movement	19.69in
Horizontal Movement	7.87in
Depth	28.35in 28.74in
Free Space	30.94in 31.02in
SID	39.37in (100cm)
Rotation	± 190°
GENERATOR	
Inverter Frequency	40 kHz
Power	15kW
kV Range on Fluoroscopy	40-120kV
mA Range on Fluoroscopy	0.1~7mA / 18~45mA
kV Range on Radiography	40-120kV
Max Value of Radiography Current	70 mA
mAs	0.4-100mAs
Snap Shot	10-25mA

TUBE	
Anode Heat Capacity (HU)	300,000
Small Focus	0.3 mm
Large Focus	0.6 mm
Anode Type	Rotating
Collimation	Iris & Blades
Laser Pointer	Yes (Optional)
I.I.	9" or 12"
Monitor	19" (B/W Medical Grade)
Camera Type	CCD Camera (1k x 1k pixel)

DIGITAL MEMORY, IMAGE PROCESSING	
Image Capacity	100,000+
LIH, Digital Recording	Yes
Dual Monitor Display	Yes
Edge Enhancement	Yes
A/D Conversion	14 bit
Frames Per Sec	45 / 30 / 15 / 5 fps
DICOM 3.0	Yes
Cine Loop Recording	Yes (30fps)
Pulse Mode	Pulse mode & Minimum dose mode

*The specifications above can be changed.

DIGITAL MEMORY, IMAGE PROCESSING ZENIS system / Windows



All measurements of diagram in inches



Manufactured by Genoray



Distributed by Complete Medical Services
6605 Burroughs Ave. Sterling Heights, MI 48314
TEL : 586-532-1142 FAX : 586-726-5568
www.completemedicalservices.com