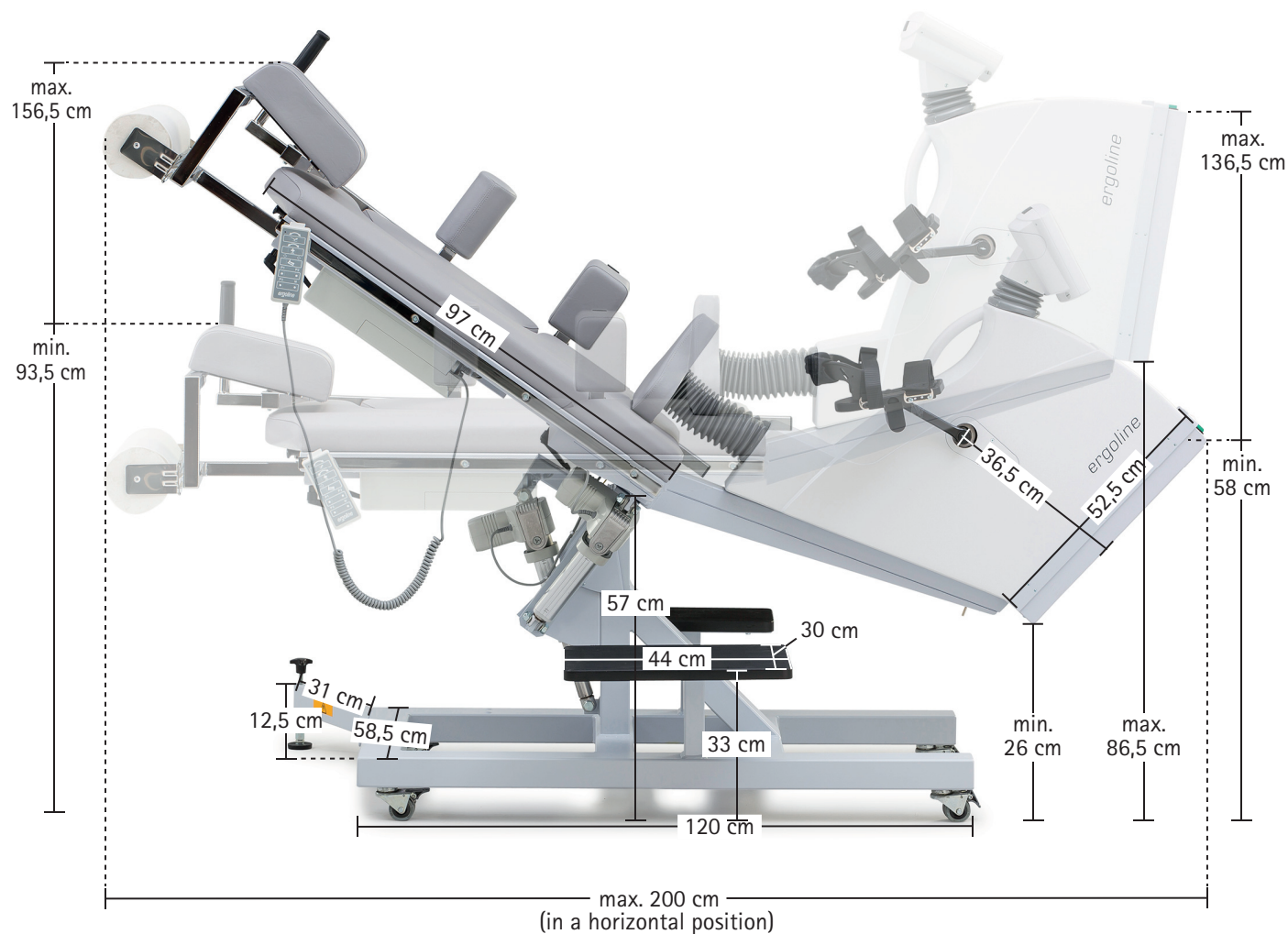


ergoselect 1200 – Technical Specifications

Dimensions



ergoselect 1200 – Technical Specifications

Couch ergometer	ergoselect 1200
Couch width	50 cm
Couch adjustment (incline and tilt)	0 – 45 ° each, continuous, motor driven (for inclines up to 23°, a lateral tilt up to 45° can be adjusted)
Motor control	via control unit with membrane keyboard, 3 positions programmable
Seat height adjustment	continuous, for patients from 120 cm to 210 cm (motor driven)
Patient weight (max.)	140 kg
Drive unit	
Brake system	microprocessor controlled eddy current brake
Load	6 – 999 Watt, speed independent
Accuracy	according to DIN VDE 0750-238
Speed range	30 – 130 rpm
Control unit	
Display/patient display	load, rpm, speed, time, blood pressure, heart rate (LCD)/rpm (LED)
Graphic display (load, heart rate)	○
Keyboard	membrane keyboard
Exercise protocols	
User programmable	10
Fixed incremental protocols (WHO, Hollmann, etc.)	5
Manual load adjustment	●
Options	
Automatic blood pressure measurement	○
Leg rests (plug-in type), arm rests (stainless steel), infusion holder	○
Detachable or extended control unit	○
Interfaces	
Digital (RS-232, USB)/analog/remote start	● / ○ / ○
Dimensions and weight	
Ergometer	Ergometer with packaging
Length: 240 cm	Length: 209 cm
Width: 90 cm	Width: 80 cm
Height: 180 cm (max.)	Height: 157 cm
Weight: approx. 140 kg	Weight: approx. 158 kg
Miscellaneous	
Power supply	230 V (225 VA max.)

● Standard ○ Option